

# ELECTRONIC FIRE BELL SERIES

Size fits USA outlet type. Additional strobe or junction box are available.

美規蓋板尺寸電子式火災警鈴(可附加閃光燈頭或底座配線盒)



• Lxx-FS104  
(with strobe)



• Lxx-FL96



• Lxx-F103  
(without strobe)



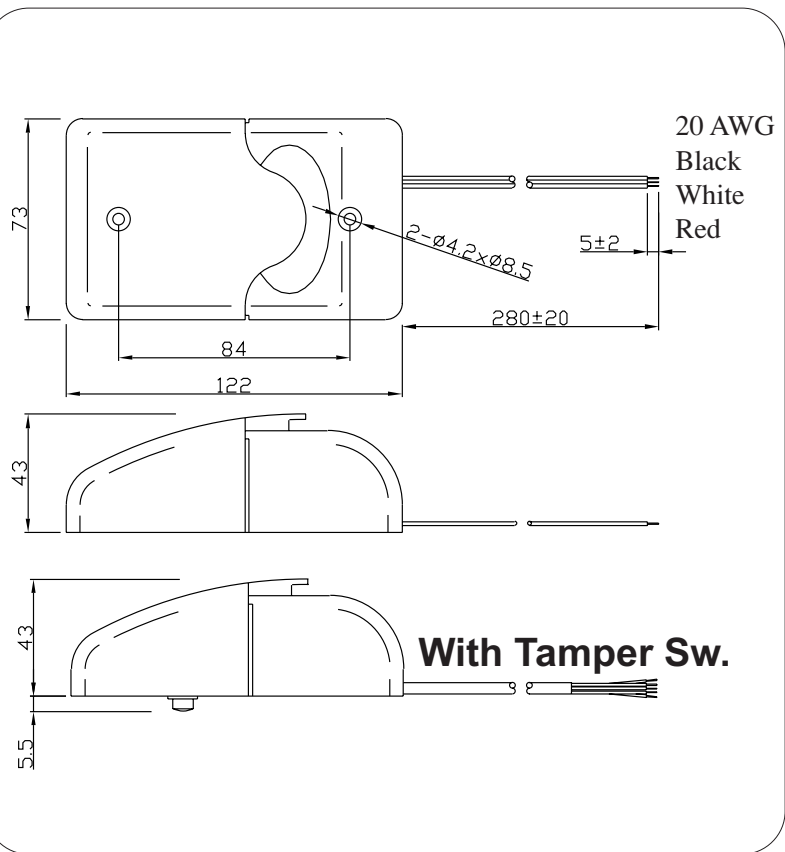
• Lxx-FS103  
(with strobe)

## Key Specifications

- Input : 24V DC ( 12~30V DC )
  - Sound output : Over 96dBA ( at 1M )  
100dBA ( Nominal )
  - Strobe : 8,000mcd, 6pcs.  
Super bright LED
  - Tone : Bell sound, Sweep, Siren,  
Emergent Whistle...
  - Operating Current : 50mA ( Typical )  
60mA ( Max. )
  - Color :Red
- \*Please refer to page 38, 41 for dimensions

# Dimensions

# LD-95,96,97



# LD-H95, 96, 97

