

ELECTRONIC FIRE BELL SERIES

Size fits USA outlet type. Additional strobe or junction box are available.

美規蓋板尺寸電子式火災警鈴(可附加閃光燈頭或底座配線盒)



• Lxx-FS104
(with strobe)



• Lxx-FL96



• Lxx-F103
(without strobe)



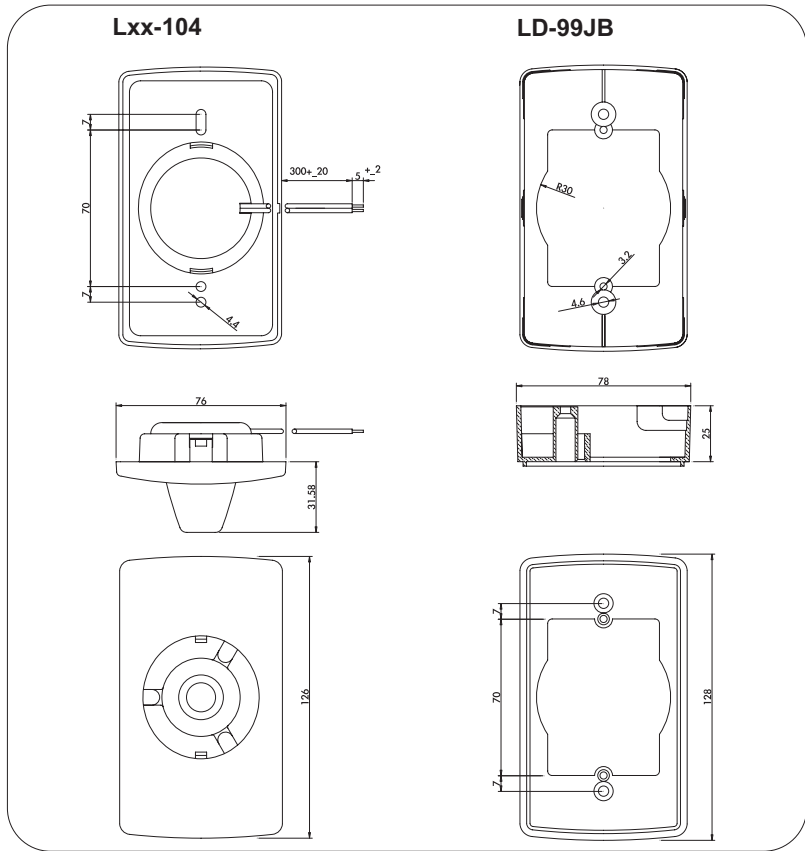
• Lxx-FS103
(with strobe)

Key Specifications

- Input : 24V DC (12~30V DC)
 - Sound output : Over 96dBA (at 1M)
100dBA (Nominal)
 - Strobe : 8,000mcd, 6pcs.
Super bright LED
 - Tone : Bell sound, Sweep, Siren,
Emergent Whistle...
 - Operating Current : 50mA (Typical)
60mA (Max.)
 - Color :Red
- *Please refer to page 38, 41 for dimensions

Dimensions

Lxx-104 Series & LD-99JB



LD-xx86 Series

